



Standard Features

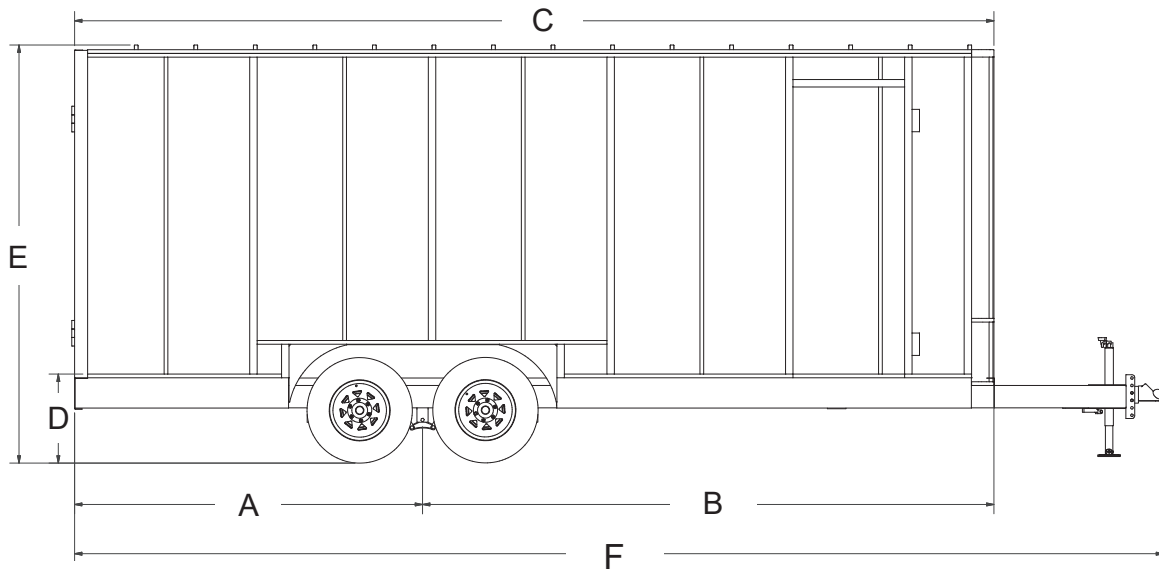
- HSS Structural Tubing Frame, Floor, Wall, Roof
- Screwless VHB Bonded Painted Aluminum Exterior Panels
- One-piece aluminum roof
- Cambered radius roof bows
- Fully Enclosed Wiring
- 4 Foot aluminum barlocks
- Zinc coated Hardware
- Aluminum Extrusion Trim Top and Bottom
- Led Exterior and Interior Lights
- Side vent

Specifications

Axle:	(2) 5,200 lb Lippert Spring	Floor:	3/4" Plywood
Brakes:	Electric Self-Adjusting	Walls:	3/8" Plywood
Coupler:	21,000 lb Demco Adjustable	Wheels:	225/75R15 D Steel
Jack:	5,000 lb Top-Wind	Electric Plug:	7 Wire RV
Side Door:	30" x 72" with RV Latch	Ramp Rating:	2,500 lb Midspan
Floor D-Rings:	4,080 lb		

Options

Rear Door	
Ramp	Barn Style



Dimensions

Model	A	B	C	D	E	F
LARCT52-820F-78	93 1/2"	153 1/2"	247"	21.6875"	104 1/8"	292 5/8"
LARCT52-820F-86	93 1/2"	153 1/2"	247"	21.6875"	112 1/8"	292 5/8"
LARCT52-824F-78	113 1/2"	181 1/2"	295"	21.6875"	104 1/8"	340 5/8"
LARCT52-824F-86	113 1/2"	181 1/2"	295"	21.6875"	112 1/8"	340 5/8"
LARCT52-822V-78	93 1/2"	170 11/16"	264 3/16"	21.6875"	104 1/8"	292 5/8"
LARCT52-822V-86	93 1/2"	170 11/16"	264 3/16"	21.6875"	112 1/8"	292 5/8"
LARCT52-826V-78	113 1/2"	198 11/16"	312 3/16"	21.6875"	104 1/8"	340 5/8"
LARCT52-826V-86	113 1/2"	198 11/16"	312 3/16"	21.6875"	112 1/8"	340 5/8"

Model	Description	Net Weight	GVWR	Payload Cap.
LARCT52-820F-78	8' x 20' x 78" wall height, 5,200 lb. Tandem Axle Flat Nose	3073 lb	11,400 lb	8327 lb
LARCT52-820F-86	8' x 20' x 86" wall height, 5,200 lb. Tandem Axle Flat Nose	3183 lb	11,400 lb	8217 lb
LARCT52-824F-78	8' x 24' x 78" wall height, 5,200 lb. Tandem Axle Flat Nose	3669 lb	11,400 lb	7731 lb
LARCT52-824F-86	8' x 24' x 86" wall height, 5,200 lb. Tandem Axle Flat Nose	3779 lb	11,400 lb	7621 lb
LARCT52-822V-78	8' x 22' x 78" wall height, 5,200 lb. Tandem Axle V-Nose	3304 lb	11,400 lb	8096 lb
LARCT52-822V-86	8' x 22' x 86" wall height, 5,200 lb. Tandem Axle V-Nose	3403 lb	11,400 lb	7997 lb
LARCT52-826V-78	8' x 26' x 78" wall height, 5,200 lb. Tandem Axle V-Nose	3940 lb	11,400 lb	7460 lb
LARCT52-826V-86	8' x 26' x 86" wall height, 5,200 lb. Tandem Axle V-Nose	4050 lb	11,400 lb	7350 lb



Specs are subject to change without notice. Please contact Southland Trailer Corp Product Specialist for price confirmation on all Products. - Revised January 2024